

PARTS CATALOG

T9020
4WD Tractor
ASN Z7F204001

Print No. 87639134
8/2016



NEW HOLLAND

AGRICULTURE

All rights reserved by **CNH Industrial**.

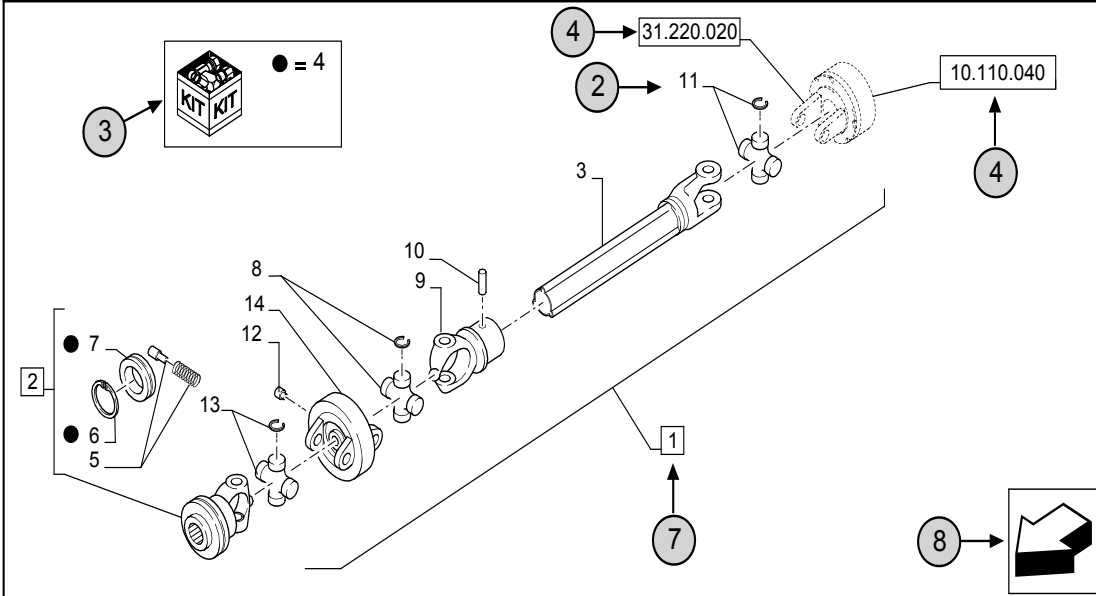
The information contained in this catalogue is intended to be of a general nature only. **CNH Industrial** may at any time and from time to time, for technical or other necessary reasons, modify any of the details or specifications of the product described in this catalogue.

To be sure of getting accurate, detailed and up-to-date information, an intending buyer should consult his nearest **CNH Industrial** dealer or distributor.

Single item numeration method used in this catalogue may not be used without written consent from **CNH Industrial**

31.220.010	01	p1	10/2014
------------	----	----	---------

VAR - 123782, 789101,987654 - PTO - D650



STANDARD ← 6

23	9	10	31.220.010	01	p1	10/2014
----	---	----	------------	----	----	---------

VAR - 123782, 789101,987654 - PTO - D650

REF	FN	PART NUMBER	YR/SN	QTY	DESCRIPTION
1	1	86529340	20	1	SHAFT PTO, Incl 2 - 11
2	15	84014007		1	YOKE, Incl 4 - 7 ← 7
3	16	NSS		1	NOT SERVICED SEPARATELY, SHAFT, 350mm, Incl in 1
4		84004292		1	KIT, Seal Kit, Incl 6, 7 ← 17
4		{84058743}		1	KIT, Seal Kit, Incl 6, 7
2				21	
18				22	
19					
		1 = FOR ITALY ONLY ← 5			

MODELS ← 1


- 1 Model Number and Model Description
- 2 Reference - Figure call-out of the part number.
- 3 Parts supplied in repair kits per symbol reference.
- 4 31.220.020 Part illustrated on the **Page** or in the **Figure** indicated, or calls for **Variations** or **Details**. Indicates components shown in detail elsewhere in the catalogue under the figure number shown.
- 5 Footnote references
- 6 Figure notes
- 7 1 2 Includes item(s) (See Description within partlist).
- 8 Orientation. (Arrow indicates front of the machine). 
- 9 Figure description.
- 10 General information of the figure.
- 11 Figure title number that aligns with the SRT. Standard Repair Time.
- 12 **Sequence** code within the assembly.
- 13 Page number within the sequence code.
- 14 **Date** of printing or updating of page (month-year).
- 15 **Note** - Relating to the Part Number. There is a key to symbols and abbreviations at the bottom of the text page.
- 16 Non-serviced parts.
- 17 Further description of the part to help confirm identification.
- 18 Not available as service part.
- 19 Part Number.
- 20 To be defined.
- 21 Total **Quantity** of the Part referred to in the page.
The quantity can be replaced by the following indications:
AR = quantity as requested.
- 22 Part **Description**.
- 23 Variant Codes

TABLE OF CONTENTS

01A -01		HYDRAULICS - TRANSMISSION AND PTO CLUTCH LUBRICATION, MANUAL SHIFT TRANSMISSION
01A -02		HYDRAULICS - TRANSMISSION AND PTO CLUTCH LUBRICATION, POWER SHIFT TRANSMISSION
01A-03		HYDRAULICS - STEERING CIRCUITRY
01A-04		HYDRAULICS - ELECTRONIC HITCH CIRCUIT
01A-05		HYDRAULICS - CHARGE PUMP AND BRAKE CIRCUIT
01A-05		HYDRUALICS - POWER TAKEOFF TRANSFER CASE LUBRICATION
01A-06		HYDRAULICS - AXLE LUBRICATION & COOLING CIRCUIT
01A-08		HYDRAULICS - CHARGE PUMP AUXILIARY REMOTE CIRCUIT, STANDARD HYDRAULICS
01A-09		HYDRAULICS - CHARGE PUMP AUXILIARY REMOTE CIRCUIT, HIGH OUTPUT HYDRAULICS
04-32		LAMPS - CAB MOUNTED H.I.D.
05.100.03	01	FILTERS
05.100.03	02	CAPACITIES
DLR STOCK		MANDATORY STOCKING LIST
DLR STOCK		RECOMMENDED STOCKING LIST
02-01		RADIATOR - HOSES AND TUBES
02-02		RADIATOR MOUNTING
02-03		AIR INTAKE
02-04		AIR CLEANER ASSY
02-05		AIR COOLER MOUNTING
02-06		EXHAUST SYSTEM
02-07		ENGINE MOUNTING
02-08		WATER PUMP SYSTEM
02-09		FRONT GEAR COVER
02-10		MANIFOLDS
02-11		TURBOCHARGER SYSTEM
02-12		TURBOCHARGER ASSEMBLY
02-13		WASTEGATE ACTUATOR
02-14		FILTER AND COOLER OIL
02-15		OIL PUMP AND OIL PAN
02-16		CYLINDER HEAD COVER
02-17		CYLINDER HEAD - VALVE MECHANISM
02-18		THERMOSTAT - FILTER, WATER
02-19		CRANKCASE, BREATHER
02-20		CAMSHAFT
02-21		CYLINDER BLOCK
02-22		CRANKSHAFT

TABLE OF CONTENTS

02-23	FLYWHEEL
02-24	PISTONS AND CONNECTING RODS
02-25	VALVE GRIND GASKET KIT
02-26	KIT ENGINE OVERHAUL
03-01	THROTTLE
03-02	THROTTLE - DECELERATOR CONTROL
03-03	FUEL LINES
03-04	FUEL INJECTION SYSTEM
03-05	PUMP, FUEL TRANSFER
03-06	FUEL FILTER AND CONNECTIONS
03-07	FUEL INJECTION - PUMP AND DRIVE
03-08	FUEL DRAIN
06-01	TRANSMISSION AND THROTTLE CONTROL
06-02	TRANSMISSION SHIFT CONTROLS, MANUAL SHIFT TRANSMISSION
06-03	SHIFTING UNIT ASSEMBLY, WITH MANUAL SHIFT TRANSMISSION
06-04	CLUTCH PEDAL, POWER SHIFT TRANSMISSION
06-05	CLUTCH PEDAL, MANUAL SHIFT TRANSMISSION
06-06	WHEELS - SINGLE AND DUALS WITH SPACERS
06-07	HUB ASSEMBLY
06-08	DRIVE SHAFTS AND MOUNTING
06-09	DRIVE SHAFT ASSY
06-10	POWER TAKEOFF - CLUTCH LUBRICATION, MANUAL SHIFT TRANSMISSION
06-11	POWER TAKEOFF - CLUTCH LUBRICATION, POWER SHIFT TRANSMISSION
06-12	VALVE ASSY POWER TAKE OFF
06-13	POWER TAKEOFF - LUBRICATION
06-14	POWER TAKEOFF - DRIVE SHAFT MOUNTING
06-15	POWER TAKEOFF - DRIVE SHAFT ASSEMBLIES
06-16	POWER TAKEOFF - SAFETY SHEILDS
06-17	POWER TAKEOFF TRANSFER CASE ASSEMBLY
06-18	POWER TAKEOFF CLUTCH ASSEMBLY
06-19	POWER TAKEOFF INPUT SHAFT ASSEMBLY
06-20	TRANSMISSION MOUNTING - MANUAL SHIFT
06-21	TRANSMISSION MOUNTING - POWER SHIFT
06-22	TRANSMISSION - LUBRICATION, MANUAL SHIFT
06-23	TRANSMISSION - LUBRICATION, POWER SHIFT
06-24	MANUAL SHIFT TRANSMISSION - VALVE ASSEMBLY MOUNTING

TABLE OF CONTENTS

06-25	MANUAL SHIFT TRANSMISSION - COVERS AND YOKES
06-26	MANUAL SHIFT TRANSMISSION - REAR HOUSING
06-27	MANUAL SHIFT TRANSMISSION - FRONT HOUSING
06-28	MANUAL SHIFT TRANSMISSION - SHAFT ASSY AND SHIFTER FORKS
06-29	MANUAL SHIFT TRANSMISSION - SHIFTER FORKS
06-30	MANUAL SHIFT TRANSMISSION - INPUT SHAFT ASSY
06-31	MANUAL SHIFT TRANSMISSION - INPUT SHAFT ASSY
06-32	MANUAL SHIFT TRANSMISSION - SECOND SHAFT ASSY
06-33	MANUAL SHIFT TRANSMISSION - THIRD SHAFT ASSY
06-34	MANUAL SHIFT TRANSMISSION - FOURTH SHAFT ASSY
06-35	MANUAL SHIFT TRANSMISSION - FIFTH SHAFT ASSY
06-36	MANUAL SHIFT TRANSMISSION - CONTROL VALVE ASSY
06-37	MANUAL SHIFT TRANSMISSION - LOCKOUT VALVE ASSY
06-38	MANUAL SHIFT TRANSMISSION - REGULATOR VALVE ASSY
06-39	POWER SHIFT TRANSMISSION - VALVE AND PUMP MOUNTING
06-40	POWER SHIFT TRANSMISSION - COVERS AND YOKES
06-41	POWER SHIFT TRANSMISSION - REAR HOUSING
06-42	POWER SHIFT TRANSMISSION - HOUSING AND CLUTCHES
06-43	POWER SHIFT TRANSMISSION - INPUT SHAFT ASSY
06-44	POWER SHIFT TRANSMISSION - INPUT SHAFT ASSY
06-45	POWER SHIFT TRANSMISSION - SECOND SHAFT ASSY
06-46	POWER SHIFT TRANSMISSION - THIRD SHAFT ASSY
06-47	POWER SHIFT TRANSMISSION - FOURTH SHAFT ASSY
06-48	POWER SHIFT TRANSMISSION - FOURTH SHAFT ASSY
06-49	POWER SHIFT TRANSMISSION - FIFTH SHAFT ASSY
06-50	POWER SHIFT TRANSMISSION - FIFTH SHAFT ASSY
06-51	POWER SHIFT TRANSMISSION - REGULATOR VALVE ASSY
06-52	POWER SHIFT TRANSMISSION - RANGE SELECTOR VALVE
06-53	AXLE MOUNTING
06-54	AXLE ASSY - FRONT COVER
06-55	AXLE ASSY - REAR COVER
06-56	AXLE ASSY - CENTER AND LEFT-HAND CARRIER
06-57	AXLE ASSY - DIFFERENTIAL, WITHOUT DIFFERENTIAL LOCKS
06-58	AXLE ASSY - DIFFERENTIAL, WITH DIFFERENTIAL LOCKS
06-59	AXLE ASSY - BRAKE AND RIGHT-HAND CARRIER
06-60	AXLE ASSY - FINAL DRIVE, STANDARD

TABLE OF CONTENTS

06-61	AXLE ASSY - FINAL DRIVE, HEAVY DUTY
07-01	BRAKE CONTROL
07-02	BRAKE VALVE ASSY
07-03	AXLE HYDRAULICS - SERVICE BRAKE CIRCUIT
07-04	AXLE HYDRAULICS - PARK BRAKE CIRCUIT, WITH DIFFERENTIAL LOCKS
07-05	AXLE HYDRAULICS - PARK BRAKE CIRCUIT, WITHOUT DIFFERENTIAL LOCKS
07-06	VALVE ASSY - DIFFERENTIAL LOCK
04-01	CONTROLS - CONSOLE, RIGHT HAND
04-02	PANEL, CONTROL - COMPONENTS
04-03	RADIO AND SPEAKERS
04-04	INSTRUMENT CLUSTER & ROPS POST CONTROLS
04-05	WIPER, WINDSHIELD - MOUNTING
04-06	WINDSHIELD WASHER
04-07	ALTERNATOR - MOUNTING
04-08	STARTER ASSY.
04-09	GROUND SPEED SENSOR
04-10	ALARM - BACK-UP
04-11	HARNESS - TRANSMISSION, POWER SHIFT
04-12	HARNESS - ENGINE
04-13	HARNESS - MAIN CAB, DELUXE AND LUXURY CABS
04-14	HARNESS - CAB ROOF
04-15	HARNESS - FRONT FRAME
04-16	HARNESS - REAR FRAME, WITH ELECTRONIC REMOTE, WITHOUT THREE POINT HITCH
04-17	HARNESS - REAR FRAME, WITH ELECTRONIC REMOTE AND THREE POINT HITCH
04-18	HARNESS - FRONT CONSOLE
04-19	HARNESS - FLEX CONTROL
04-20	HARNESS, ENGINE CONTROL MODULE
04-21	HARNESS - ISO IMPLEMENT
04-22	MODULE, ENGINE CONTROL
04-23	GRID HEATER - CABLES
04-24	BATTERIES
04-25	ELECTRONIC MODULE ASSY
04-26	LAMPS - REAR FRAME, H.I.D.
04-27	LAMPS - REAR FRAME AND FIELD
04-28	HEADLAMPS
04-29	LAMPS - MARKER

TABLE OF CONTENTS

04-30		LAMPS - SIDE MARKER WARNING
04-31		LAMP - STROBE
04-33		WIRING - MEGA FLOW HYDRAULIC CONTROLS
04-34		MEGA FLOW HYDRAULIC CONTROLS
04-35		MOUNTING - FLEX CONTROL
04-36		INTELLISTEER, GPS - MOUNTING
04-37		INTELLISTEER PLUS MOUNTING & RELEATED PARTS
04-38		INTELLISTEER PLUS II MOUNTING & RELEATED PARTS, BSN Z8F204610
04-38	01	INTELLISTEER PLUS II - AUTOSENSE MOUNTING & RELEATED PARTS, ASN Z8F204610
04-39		SENSOR - HITCH POSITION
04-40		CAB POWER CUT-OFF SWTICH
08-01		HYDRAULIC OIL COOLER
08-02		HYDRAULIC OIL COOLER - MOUNTING
08-03		OIL FILTER - AXLE AND TRANSMISSION
08-04		OIL FILTER - MAIN HYDRAULICS (BELOW BATTERY)
08-05		AXLE HYDRAULICS - LUBRICATION CIRCUIT
08-06		AXLE HYDRAULICS - AIR AND LUBRICATION CIRCUIT
08-07		AXLE HYDRAULICS - COOLING CIRCUIT
08-08		REGULATOR VALVE ASSY
08-09		PRIORITY / STEERING CONTROL VALVE ASSY
08-10		TOW BLOCK VALVE ASSY
08-11		CABLE - TOW VALVE
08-12		HYDRAULIC TANK ASSY
08-13		STANDARD HYDRAULICS - PUMP LUBRICATION CIRCUIT
08-14		STANDARD HYDRAULICS - PUMP MOUNTING
08-15		PISTON PUMP ASSY - STANDARD HYDRAULICS
08-16		HIGH OUTPUT HYDRAULICS - PUMP LUBE CIRCUIT
08-17		PRIORITY VALVE AND ATTACHING PARTS
08-18		HIGH OUTPUT HYDRAULICS - PUMP MOUNTING
08-19		HIGH OUTPUT HYDRAULICS - PISTON PUMP ASSY
08-20		GEAR PUMP ASSY
08-21		HYDRAULIC REMOTE HOSES - ELECTRONIC REMOTE
08-22		HYDRAULIC REMOTE CONTROL VALVE, NORTH AMERICA
08-22	01	HYDRAULIC REMOTE CONTROL VALVE, EUROPE
08-23		MANIFOLD VALVE ASSY
08-24		REMOTE VALVE ASSY - ELECTRONIC CONTROLLED

TABLE OF CONTENTS

08-25	COUPLER VALVE ASSY
08-26	MAIN AND AUXILIARY VALVE ASSY - ELECTRONIC REMOTE
08-27	HITCH VALVE ASSEMBLY - ELECTRONIC REMOTE
08-28	MOTOR RETURN
08-29	COUPLERS - POWER BEYOND
08-30	COUPLER MOUNTS WITHOUT POWER TAKEOFF AND THREE POINT HITCH
08-31	THREE POINT HITCH HYDRAULICS - ELECTRONIC CONTROLLED HITCH SYSTEM
08-32	CYLINDER ASSY - THREE POINT HITCH
08-33	HYDRAULICS - MEGA FLOW CIRCUITRY
08-34	MEGA FLOW HYDRAUICS - AUXILIARY REMOTE MOUNTING
08-35	MEGA FLOW HYDRAULIC MANIFOLD ASSY
08-36	MEGA FLOW HYDRAULIC PUMP ASSY
08-37	OIL FILTER - MEGA FLOW HYDRAULICS
08-38	TRAILER BRAKES - HYDRAULIC
08-39	TRAILER BRAKE, VALVE ASSY.
09-01	THREE POINT HITCH
09-02	ROCKSHAFT
09-03	THREE POINT HITCH - UPPER LINK, WITHOUT POWER TAKEOFF
09-04	THREE POINT HITCH - UPPER LINK, WITH POWER TAKEOFF
09-05	LINK ASSY - UPPER
09-06	LINK ASSY - LIFT
09-07	QUICK HITCH
09-08	DRAWBAR - HEAVY DUTY, WITHOUT THREE POINT HITCH
09-09	DRAWBAR - HEAVY DUTY, WITH THREE POINT HITCH
09-10	CAB MOUNTING
09-11	INTERIOR TRIM - DELUXE AND LUXURY CABS, BSN Z8F204683
09-11	01 INTERIOR TRIM - DELUXE AND LUXURY CABS, BSN Z8F204683
09-12	CAB - FLOORMATS AND DOORS
09-13	DOOR ASSY
09-14	CAB - SKIRTS AND GLASS
09-15	ROOF
09-16	CAB - HEADLINER AND CONTROL PANEL
09-17	CONSOLE - RIGHT-HAND ARMREST, MANUAL
09-18	CONSOLE - RIGHT HAND ARMREST, ELECTRIC
09-19	FRONT CONSOLE
09-20	MIRRORS

TABLE OF CONTENTS

09-21	SEAT - NON-INSTRUCTIONAL
09-22	SEAT - INSTRUCTIONAL
09-23	SEAT - OPERATORS
09-24	SEAT - CUSHION ASSEMBLY
09-25	SEAT - SUSPENSION ASSEMBLY
09-26	SEAT - POSITIVE RESPONSE SUSPENSION ASSEMBLY
09-27	FRONT FRAME
09-28	BATTERY DOOR ASSY
09-29	GRILLE
09-30	HOOD AND SUPPORT
09-31	HOOD - LIFT ARM
09-32	CENTER LINK
09-33	REAR FRAME
09-34	HEATER - HOSES
09-35	AIR CONDITIONING - COMPRESSOR MOUNTING
09-36	AIR CONDITIONING SYSTEM
09-37	AIR CONDITIONING - DUCTS
09-38	AIR CONDITIONING - AIR FILTER HOUSING ASSEMBLY
09-39	AIR CONDITIONING - BLOWER ASSEMBLY
09-40	AIR CONDITIONING - CLIMATE CONTROL UNIT WITH AUTO TEMP CONTROL
09-41	MONITOR MOUNTING
09-42	STORAGE BOX
09-43	WEIGHTS - FRONT FRAME
09-44	WEIGHTS - REAR FRAME
09-45	WEIGHTS - WHEEL
09-46	FIRE EXTINGUISHER
09-47	DECALS - HOOD
09-48	DECALS
09-49	DECALS
09-50	DECALS
05-01	STEERING WHEEL AND COLUMN
05-02	TRANSMISSION CONTROL ASSY - MANUAL SHIFT TRANSMISSION
05-03	TRANSMISSION CONTROL ASSY - POWER SHIFT TRANSMISSION
05-04	STEERING COLUMN ASSY.
05-05	HYDRAULICS - STEERING
05-06	ARTICULATION LOCKS

TABLE OF CONTENTS

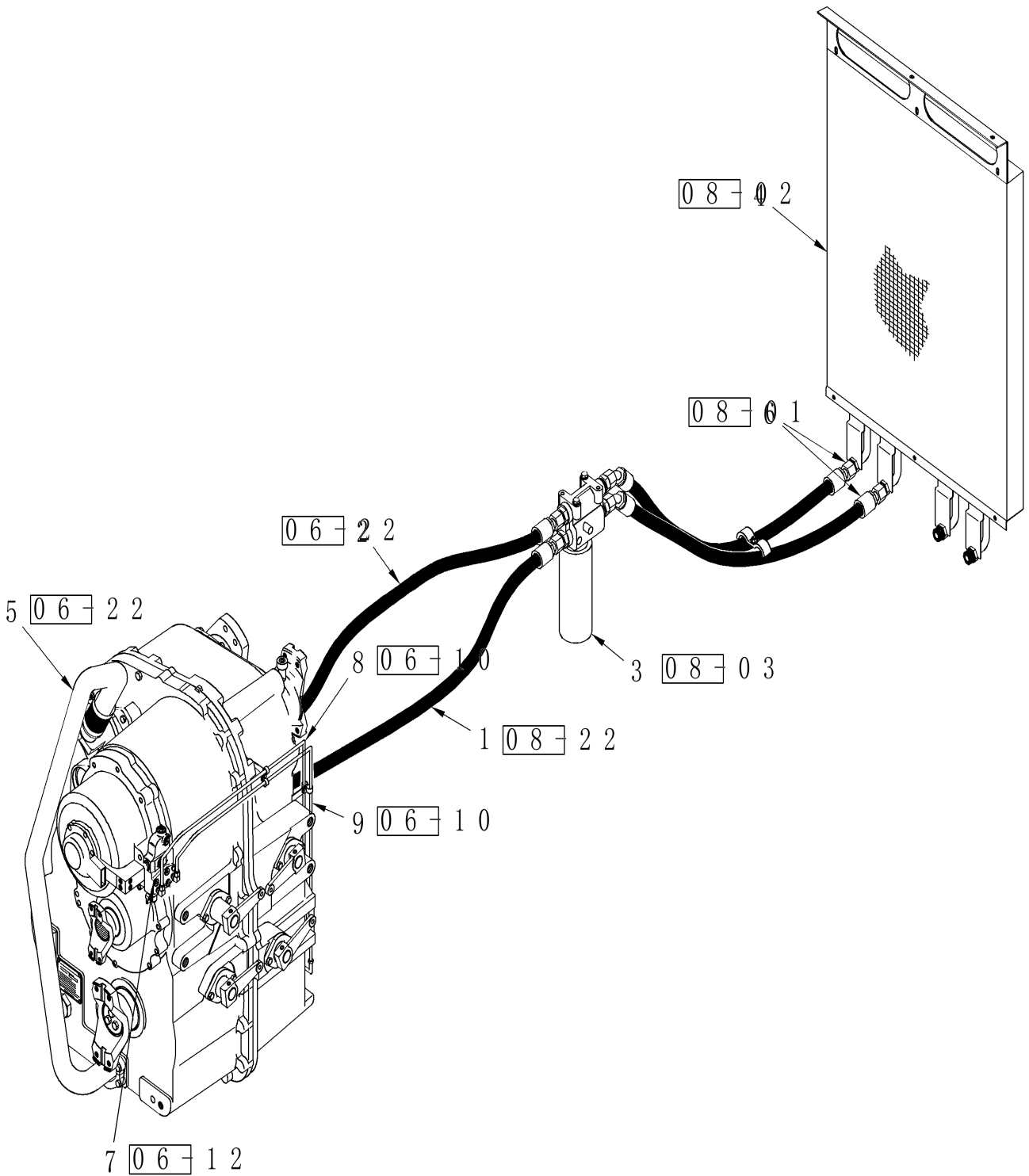
05-07	INTELLISTEER - HYDRAULIC, STEERING
05-08	CYLINDER ASSY - ARTICULATION, WITHOUT SENSOR
05-09	CYLINDER ASSY - ARTICULATION, WITH SENSOR
05-10	STEERING CONTROL VALVE
88.088.01	DIA KIT, A17 ISO 11783 READY

SECTION INDEX

GENERAL

01A -01		HYDRAULICS - TRANSMISSION AND PTO CLUTCH LUBRICATION, MANUAL SHIFT TRANSMISSION
01A -02		HYDRAULICS - TRANSMISSION AND PTO CLUTCH LUBRICATION, POWER SHIFT TRANSMISSION
01A-03		HYDRAULICS - STEERING CIRCUITRY
01A-04		HYDRAULICS - ELECTRONIC HITCH CIRCUIT
01A-05		HYDRAULICS - CHARGE PUMP AND BRAKE CIRCUIT
01A-05		HYDRAULICS - POWER TAKEOFF TRANSFER CASE LUBRICATION
01A-06		HYDRAULICS - AXLE LUBRICATION & COOLING CIRCUIT
01A-08		HYDRAULICS - CHARGE PUMP AUXILIARY REMOTE CIRCUIT, STANDARD HYDRAULICS
01A-09		HYDRAULICS - CHARGE PUMP AUXILIARY REMOTE CIRCUIT, HIGH OUTPUT HYDRAULICS
04-32		LAMPS - CAB MOUNTED H.I.D.
05.100.03	01	FILTERS
05.100.03	02	CAPACITIES
DLR STOCK		MANDATORY STOCKING LIST
DLR STOCK		RECOMMENDED STOCKING LIST

HYDRAULICS - TRANSMISSION AND PTO CLUTCH LUBRICATION, MANUAL SHIFT TRANSMISSION



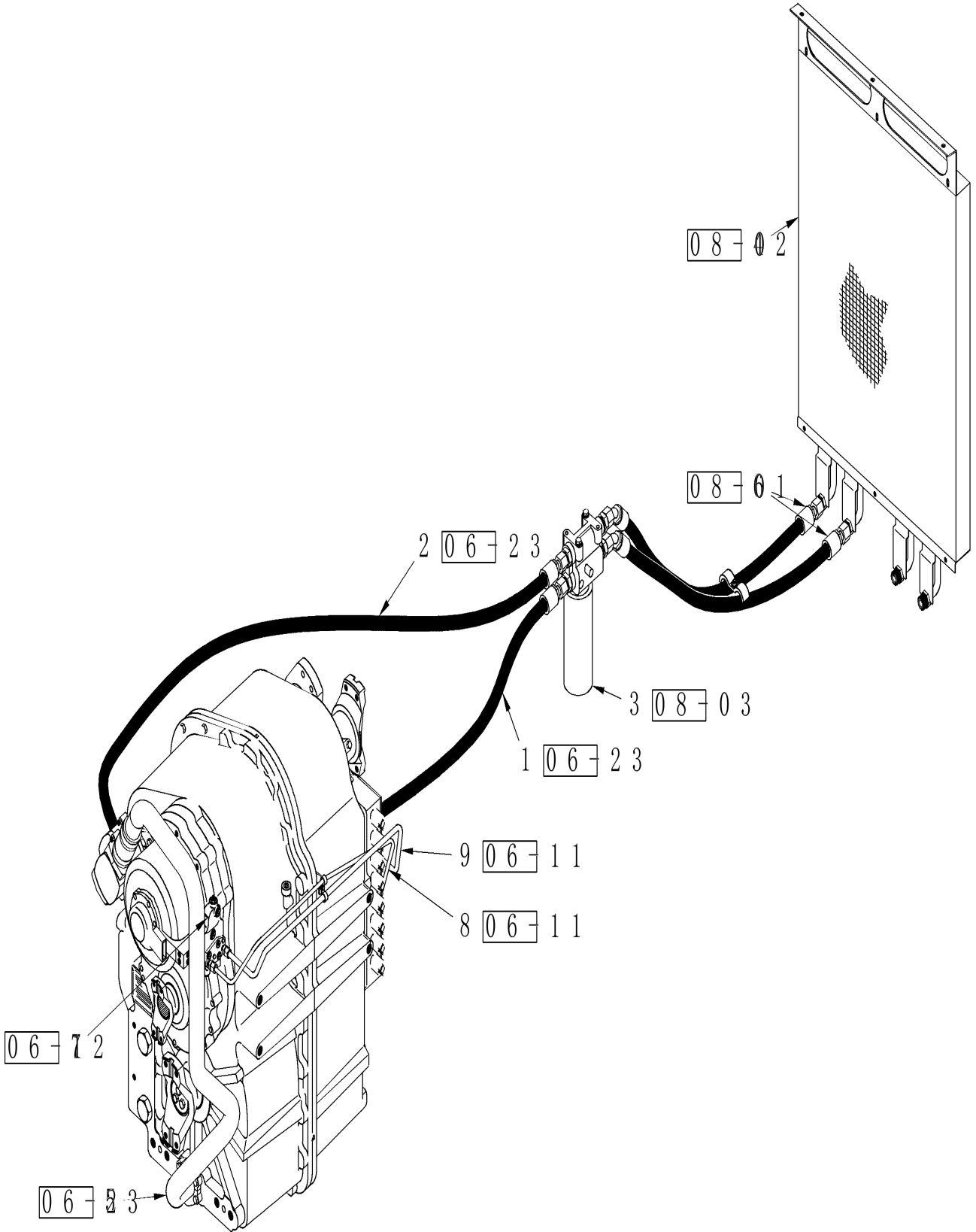
Manual Shift Transmission.

HYDRAULICS - TRANSMISSION AND PTO CLUTCH LUBRICATION, MANUAL SHIFT TRANSMISSION

REF FN	PART NUMBER	YR/SN	QTY DESCRIPTION
1	{		Hose, Transmission Regulator Valve Supply, See Figure 06-22
2	{		Hose, Oil Pump Outlet to LH Transmission Filter, See Figure 06-22
3	{		Filter, Left-Hand Transmission, See Figure 08-03
4	{		Cooler, Hydraulic Oil, See Figure 08-02
5	{		Tube, Transmission Suction Pump Supply, See Figure 06-22
6	{		Hose, Cooler Supply and Outlet Filter to Cooler, See Figure 08-01
7	{		Valve Assy., Power Takeoff Control, See Figure 06-12
8	{		Tube, Power Takeoff Valve Supply, See Figure 06-10
9	{		Tube, Power Takeoff Valve Supply, See Figure 06-10

T9020-4WD TRACTOR, ASN

HYDRAULICS - TRANSMISSION AND PTO CLUTCH LUBRICATION, POWER SHIFT TRANSMISSION

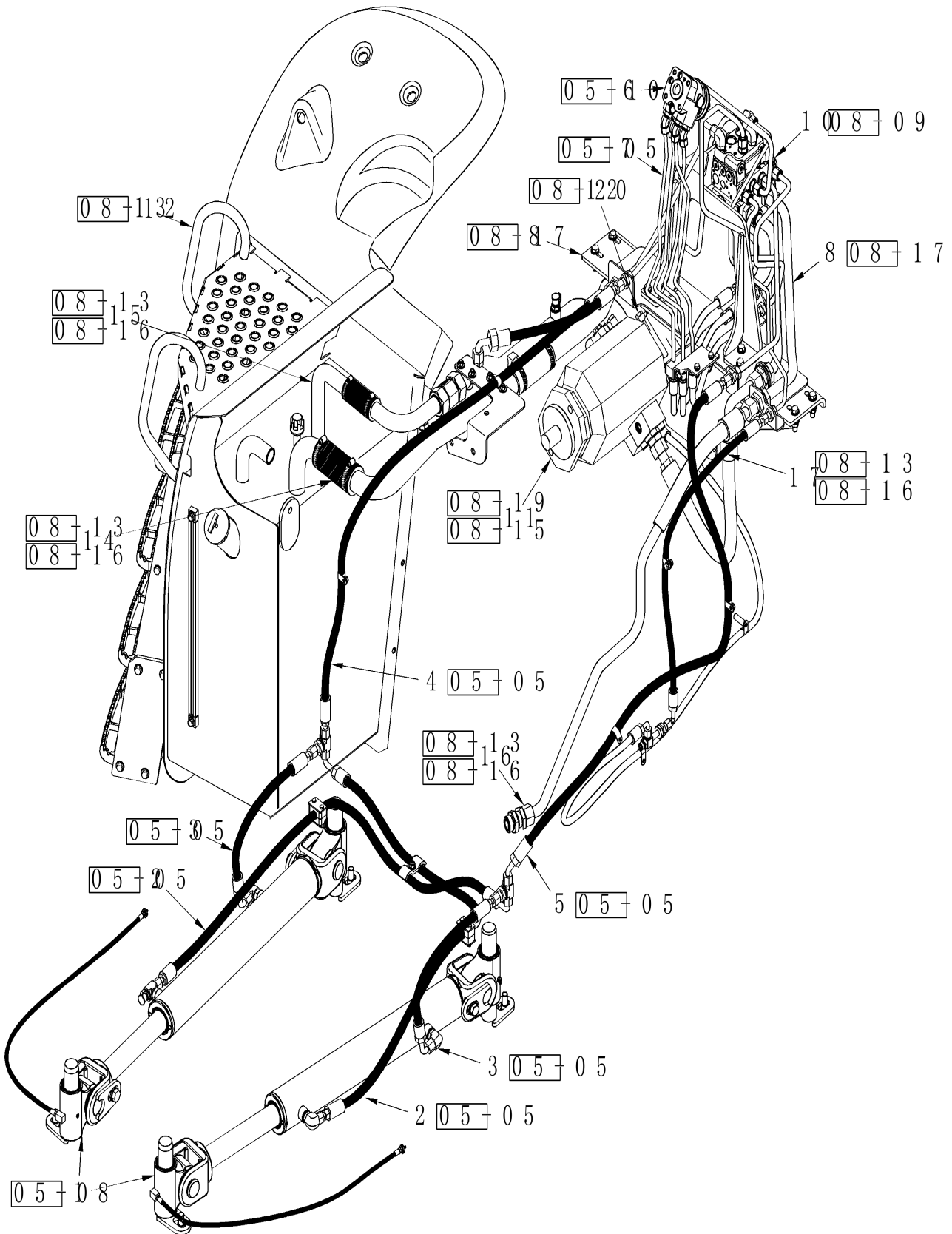


HYDRAULICS - TRANSMISSION AND PTO CLUTCH LUBRICATION, POWER SHIFT TRANSMISSION

REF FN	PART NUMBER	YR/SN	QTY DESCRIPTION
1	{ }		Hose, Transmission Regulator Valve Supply, See Figure 06-23
2	{ }		Hose, Pump Outlet to Filter, See Figure 06-23
3	{ }		Filter, Left-Hand Transmission, See Figure 08-03
4	{ }		Cooler, Hydraulic Oil, See Figure 08-02
5	{ }		Tube, Transmission Pump Supply, See Figure 06-23
6	{ }		Hose, Cooler Supply and Outlet Filter to Cooler, See Figure 08-01
7	{ }		Valve Assy., PTO Control, See Figure 06-12
8	{ }		Tube, Power Takeoff Valve Supply, See Figure 06-11
9	{ }		Tube, Power Takeoff Valve Supply, See Figure 06-11

T9020-4WD TRACTOR, ASN

HYDRAULICS - STEERING CIRCUITRY



**Thanks very much for your reading,
Want to get more information,
Please click here, Then get the complete
manual**

JustClickHere 

NOTE:

**If there is no response to click on the link above,
please download the PDF document first, and then
click on it.**

**Have any questions please write to me:
admin@servicemanualperfect.com**